



## FLOMIC - Ultrasonic Water Meter

Model FL 1024, 1025

Battery powered ultrasonic water meter

### Features:

- FLOMIC is an advanced water measuring device, operated under the technology of different propagation velocities of ultrasonic waves.
- For precise measurement with no moving parts, minimum head loss and battery operated.
- LCD display volume and instantaneous flow rates, including data processing options.

### Applications

Waterworks and industrial applications

### Available Sizes

32mm – 200mm (1 1/4"–8")

### Construction

Cast Iron

### Technical Specifications

<b>Nominal Working Pressure</b>	16 bar
<b>Temperature</b>	0-50°C
<b>Precision Class</b>	B ISO 4064-1
<b>Configuration</b>	Compact – The display attached to the unit Separate – The display is installed separately
<b>Power Source</b>	Li-battery 3.6 V/16 Ah – life time 6 to 8 years
<b>Environmental Protection</b>	IP 67 in compact version; IP 68 in separate version
<b>Display Unit</b>	Single line 8 digit LC display
<b>Outputs</b>	Passive impulse U=5:30 V, I max = 1mA
<b>Optional</b>	4-20 mA, U max = 24V Storage of measured data Optical interface according to EN 60870
<b>Protection Class</b>	IP 67



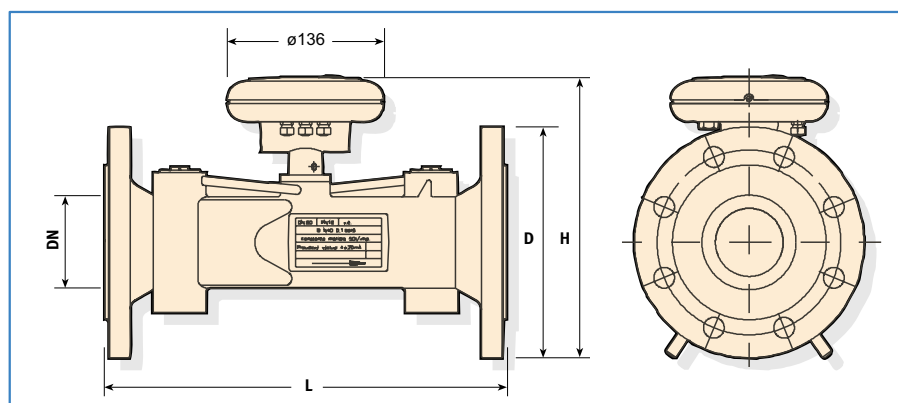
## Technical Specifications

<b>Nominal diameter DN</b>	32	40	50	65	80	100	125	150	200
<b>Overloading flow rate <math>Q_{max}</math> (m<sup>3</sup>/h)</b>	12	20	30	50	80	120	200	300	360
<b>Nominal flow rate <math>Q_n</math> (m<sup>3</sup>/h)</b>	6	10	15	25	40	60	100	150	250
<b>Transient flow rate <math>q_t</math> (m<sup>3</sup>/h)</b>	1.2	2	3	5	8	12	20	30	50
<b>Minimum flow rate <math>q_{min}</math> (m<sup>3</sup>/h)</b>	0.18	0.3	0.45	0.75	1.2	1.8	3	4.5	7.5
<b>Impulse output constant <math>k_I</math> (l/imp)</b>	10	25	25	50	50	100	100	100	100

## Dimensions

<b>DN</b>	32	40	50	65	80	100	125	150	200
<b>Inch</b>	1 1/4"	1 1/2"	2"	2 1/2"	3"	4"	5"	6"	8"
<b>L - Length (mm)</b>	300	300	300	300	350	350	350	350	350
<b>H - Height (mm)</b>	190	198	208	225	237	253	280	307	352
<b>D - Diameter (mm)</b>	140	150	165	185	200	220	253	288	343
<b>Weight (Kg)</b>	4.5	7	9.5	12	16.5	18.5	23.5	28.5	39.5

### Compact - FL 1024



### Separate - FL 1025

