



Positive Displacement Water Meter

Model P

ARAD Model P is a positive displacement water meter, rotating piston type.

The flowing water causes the piston to rotate within its chamber, each piston revolution being equivalent to a known volume of water.

The piston movement is transferred by a magnetic coupling to the register which has the appropriate reduction gearing.

Features:

- Specially designed for high accuracy and wide measuring range.
- Sealed super-dry register.
- All ARAD electrical output versions are adaptable to the meter.
- The UK version includes: IP68 Pulse under the glass register.

Applications

Domestic consumption and green houses.

Available Sizes

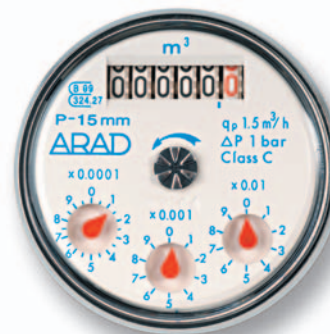
1/2", 3/4".

Standards

ISO 4064 (class C) and EEC metrological requirements.

Technical Specifications

| | |
|------------------------------------|------------------------------|
| Maximum Working Pressure | 10 bar |
| Maximum Working Temperature | 50°C |
| Body | Corrosion proof copper alloy |
| Coupling threads | BSP, NPT |



P type dial



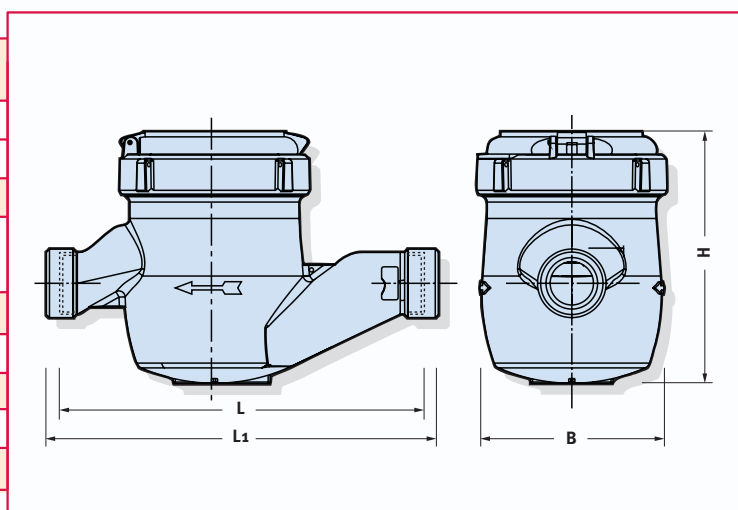


Performance data:

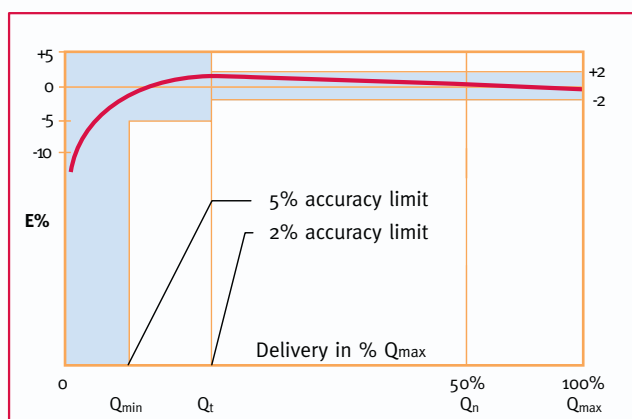
| Model | Nominal Size (inch) | Q _{max} Maximum flowrate (m ³ /h) | Q _n Nominal flowrate (m ³ /h) | Q _t Transitional Flowrate (l/h) | Q _{min} Minimum Flowrate (l/h) | Maximum register capacity (m ³) | Minimum register capacity (liter) | Accuracy between Q _{max} & Q _t | Accuracy between Q _t & Q _{min} |
|-------|---------------------|---|---|--|---|---|-----------------------------------|--|--|
| P15 | 1/2" | 3 | 1.5 | 22.5 | 15 | 10 ⁵ | 0.1 | ±2% | ±5% |
| P20 | 3/4" | 5 | 2.5 | 37.5 | 25 | 10 ⁵ | 0.1 | ±2% | ±5% |

Dimensions

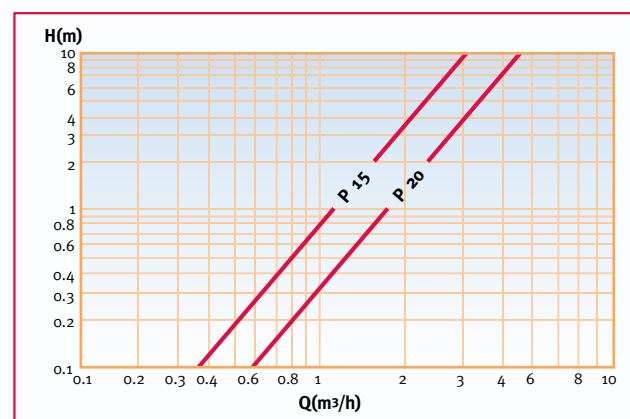
| Model | | P15 (short) | P15 | P20 |
|---|--------|-------------|------|------|
| Nominal size | (mm) | 15 | 15 | 20 |
| | (inch) | 1/2 | 1/2 | 3/4 |
| L – Length without couplings (mm) | | 165 | 190 | 190 |
| L – Length without couplings (mm) UK version | | | 134 | 165 |
| L ₁ – Length with couplings (mm) | | 260 | 285 | 285 |
| B – Width (mm) | | 100 | 100 | 100 |
| H – Height (mm) | | 108 | 108 | 112 |
| Weight (kg) | | 1.40 | 1.50 | 1.75 |
| Weight with couplings (kg) | | 1.60 | 1.70 | 2.10 |



Accuracy Curve



Head Loss Curve



Installation Requirements

- The meter can be installed in any position (horizontal, vertical or inclined)
- The meter must be always full of water while operating.
- Prior to the installation of a new meter, the pipeline must be flushed out.